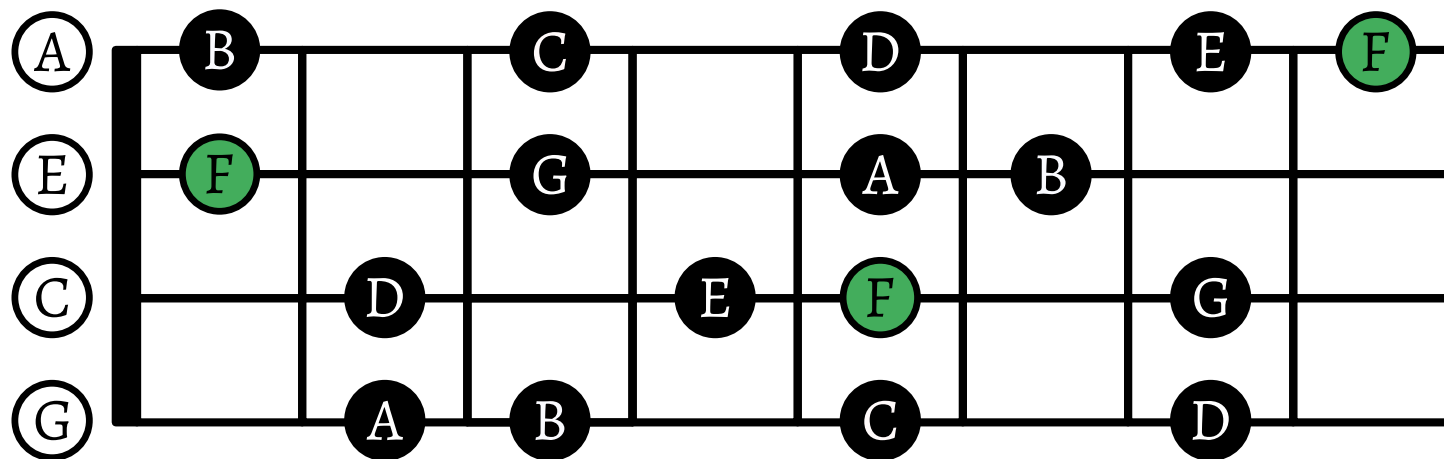


Az F-dúr skála hangjai

és elhelyezkedésük az ukulele fogólapján



A musical staff in treble clef with a key signature of one flat (Bb). The notes of the F major scale are written as quarter notes: C, D, E, F, G, A, B, C, D, E, F. Below the staff, the notes are labeled with their letter names and Hungarian solfège syllables: C (szó), D (lá), E (ti), F (dó), G (ré), A (mi), B (fá), C (szó), D (lá), E (ti), F (dó).

További hangok mély
negyedik húr esetén:

A musical staff in treble clef with a key signature of one flat (Bb). The notes G, A, and B are written as quarter notes on the lower part of the staff. Below the staff, the notes are labeled G, A, and B.